

CONTROLLER SERIES CRB100

ESBE series CRB100 is an indoor sensor based controller with integrated actuator, highly user friendly interface and quick and simple installation. Settings are done via a room display unit with integrated indoor sensor, which can either be connected to the actuator unit through cable (CRB110) or through wireless radio connection (CRB120).

OPERATION

The series CRB100 controller is designed to provide a high level of comfort and at the same time provide energy savings for the house owner.

The controller consists of two main parts, the actuator unit and the room display unit.

- Room display unit in modern design, which contains the indoor temperature sensor and in which all settings, such as day to day climate adjustments as well as the internal day and weekly program, are set.
- The actuator unit can be connected to the room display unit either by wireless radio connection (CRB120) for easy installation or by cable (CRB110).

With the inbuilt timer, with day and week program, there are possibilities to have day and night settings with an alternative temperature for even further energy savings. The alternative temperature can also be activated by an external equipment, for example the ESBE GSM-module CRB915. With this equipment the target temperature can be changed easily from a cell phone.

CRB114 is available with auxiliary switch pump control based on valve position, including a pre-assembled external connection box for easy installation.

CRB114 is available with auxiliary switch pump control based on valve position, including a pre-assembled external connection box for easy installation.

MOUNTING

To provide the best comfort, the room display unit should be placed in a central open area in the house, out of direct sunlight.

Power supply by 230 V AC adapter complete with transformer, 1.5 m cable and wall socket plug. Flow pipe sensor with 1.5 m cable included (longer cable is available as accessory). The flow sensor must be carefully insulated from the ambient temperature.

The CRB100 is easily mounted to the ESBE 3- and 4-way valves series G, MG, F, BIV, T, TM, H and HG, and with the valves of series VRG and VRB offer even more outstanding regulation accuracy and even simpler mounting.

OPTIONAL EQUIPMENT

CRA911 Flow pipe sensor, 5m cable ___ Art. No. 1705 31 00
CRB915 GSM-module _____ Art. No. 1705 59 00



CRB111
Cable



CRB114
Cable, timer, pump control



CRB122/CRB125
Wireless, timer

SUITABLE MIXING VALVES

The controller is supplied complete with an adaptor kit for easy fitting onto an ESBE rotary mixing valve.

- Series VRG100
 - Series VRG200
 - Series VRG300
 - Series VRB100
 - Series MG*
 - Series G
 - Series F ≤ DN50
 - Series BIV
 - Series T and TM
 - Series H and HG
- * Not 5MG

ADAPTOR KITS

Required adaptor kits for easily fitting onto an ESBE rotary mixing valve is supplied with each actuator. Adaptor kits can also be ordered separately.

Art. No.

1600 05 00 (= supplied with actuator) _____
___ ESBE valve series VRG, VRB, G, MG, F, BIV, T, TM, H, HG

Adaptor kits for other mixing valves are available as follows:
Art. No.

1600 06 00 _____ Meibes
1600 07 00 _____ Watts
1600 08 00 _____ Honeywell Corona
1600 09 00 _____ Lovato
1600 10 00 _____ PAW

TECHNICAL DATA

Ambient temperature: _____ max. +55°C
_____ min. -5°C

Temperature range:

Flow pipe sensor _____ +5 to +95°C

Room sensor _____ +5 to +30°C

Enclosure rating - Actuator unit: _____ IP41

- Room display unit: _____ IP20

Protection class: _____ II

Power supply - Actuator unit: _____ 230 ± 10% VAC, 50 Hz

- Room display unit - wireless: _____ 2x 1.5 V LR6/AA

Power consumption - 230 V AC: _____ 10 VA

Battery endurance, wireless room display unit: _____ 1 year

Rating auxiliary switch: _____ 6(3) A 250 V AC

Torque: _____ 6 Nm

Running time at max. speed: _____ 30s

Weight: _____ 0.9 kg

Room display unit cable: _____ 20m

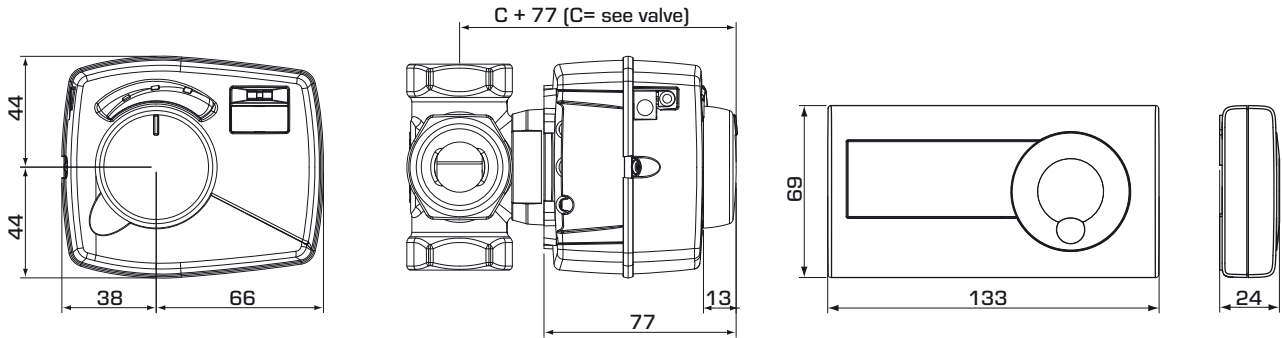
Radio frequency CRB120: _____ 868MHz

_____ ITU region 1 approved acc. to EN 300220-2

CE LVD 2006/95/EC
EMC 2004/108/EC
RoHS 2011/65/EC

CONTROLLERS

CONTROLLER SERIES CRB100



Installation dimensions for Controller Series CRB100 with ESBE VRG100, VRG200, VRG300 and VRB100 mixing valves

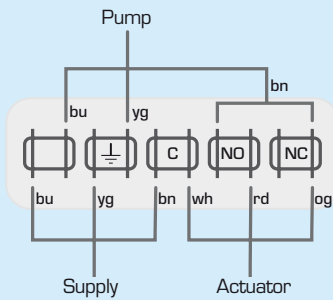
Installation dimensions for Room display units

SERIES CRB100

| Art. No. | Reference | Voltage [V AC] | Torque [Nm] | Room display unit | Note | Replaces |
|------------|-----------|----------------|-------------|-------------------|----------------------------|------------|
| 1266 01 00 | CRB111 | 230 | 6 | Cable | Without internal timer | |
| 1266 14 00 | CRB114 | | | | With pump control wire box | 1266 03 00 |
| 1266 22 00 | CRB122 | | | Wireless | | 1266 21 00 |
| 1266 25 00 | CRB125 | | | | Transformer with UK plug | |

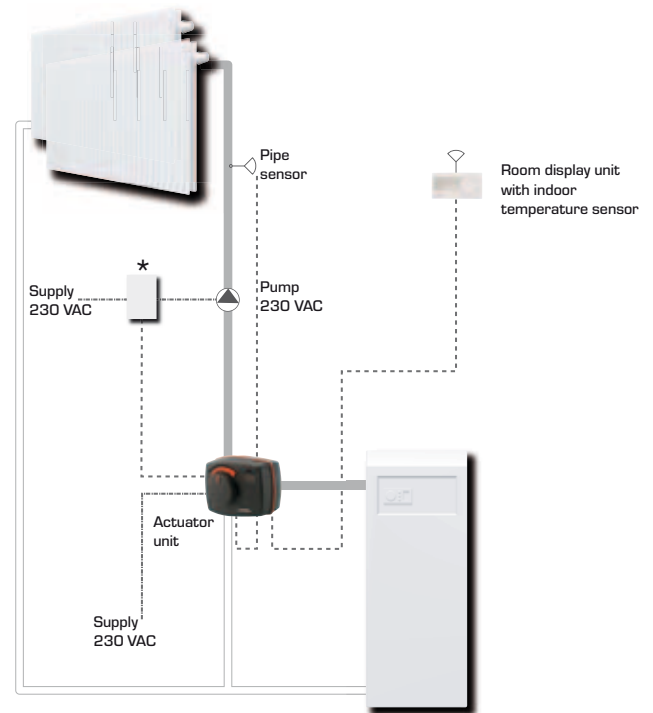
WIRING

The controller should be preceded by a multi-pole contact breaker in the fixed installation.



Controller with pump control wire box, series CRB114

INSTALLATION EXAMPLE



* Only for CRB114, Controller with pump control wire box